

**DIECI**



**MINI AGRICOLA**

**26.6**



**[dieci.com](http://dieci.com)**

## PERFORMANCE

Vehicle model	Mini Agri 26.6
Maximum capacity	2600 kg (5732 lb)
Maximum lifting height	5.73 m (18.8 ft)
Maximum horizontal extension	3.2 m (10.5 ft)
Fork swiveling angle	129°
Pull-out force	5510 daN (12387 lbf)
Towing force	4400 daN (9892 lbf)
Unladen weight	5100 kg (11244 lb)
Maximum climb angle	40 %
Max speed (referred to wheels with maximum permitted diameter)	30 km/h (18.6 mph)

## BOOM

Vehicle model	Mini Agri 26.6
Getting off the basket	4.86 s
Lifting	9.34 s
Extension	7.3 s
Retraction	4.06 s
Forward swiveling	4.22 s
Reverse swiveling	2.66 s

## ENGINE

Vehicle model	Mini Agri 26.6
Brand	Kubota
Nominal power	55 kW (74 HP)
@rpm	2600 rpm
Operation	4-stroke
Injection	Electronic, Common Rail
Number and arrangement of cylinders	4, Vertical in line
Displacement	3331 cm <sup>3</sup> (203 in <sup>3</sup> )
Consumption	231 g/kWh (380.00 lb/Hp h)
@rpm	2600 rpm
Emission standards	Stage V/Tier 4f
Exhaust gas treatment	Catalyst + Particulate filter (DOC+DPF)
Cooling system	Liquid
Intake	Turbo compressor
Air filter	Air pre-heating and air pre-filtering with dust separator

## TRANSMISSION

Vehicle model	Mini Agri 26.6
Transmission type	Single speed Hydrostatic transmission with variable displacement pump
Hydraulic motor	Hydrostatic with continuous automatic adjustment
Reversal	Electro-Hydraulic
Inching	With hydraulic pedal for controlled forward movement

## DIFFERENTIAL AXLES

Vehicle model	Mini Agri 26.6
Type of axles	2 steering, with 4 epicycloidal reduction gears
Type of steering	4 wheels / transversal / 2 wheels
Front axle	Rigid
Rear axle	Swinging
Service braking	Oil bath on front axle
Parking braking	Negative actuation with electrical control

## HYDRAULIC SYSTEM

Vehicle model	Mini Agri 26.6
Hydraulic pump type	Gear pump for power steering and movements
Hydraulic pump capacity	80 l/min (21.1 gal/min)
Max. operating pressure	23 MPa (3336 psi)
Distributor control	Proportional 4in1 Joystick
Distributor type	Single-lever hydraulic proportional

## FILLING

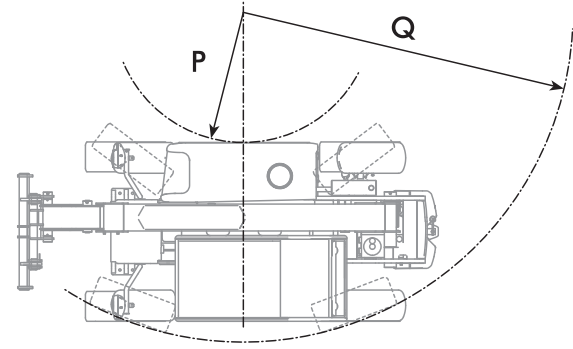
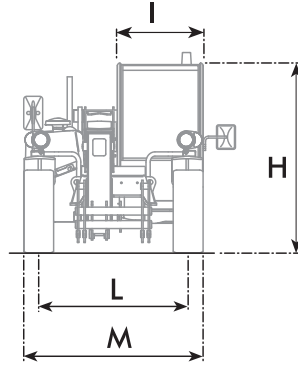
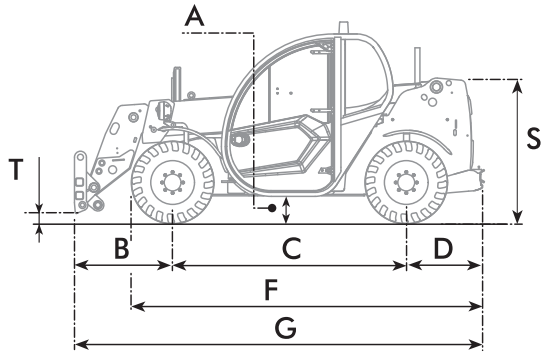
Vehicle model	Mini Agri 26.6
Hydraulic system (total)	85 l (22.45 gal)
Diesel tank	75 l (19.81 gal)

## TYRES

Vehicle model	Mini Agri 26.6
Standard tires	12.0/75-18"

## DIMENSIONS

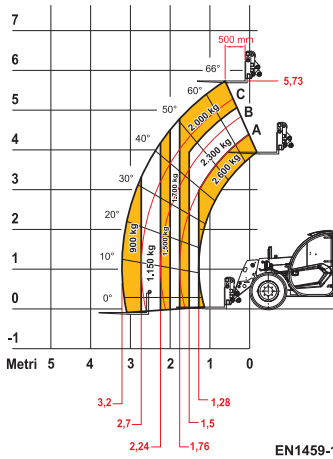
Vehicle model	Mini Agri 26.6
A	290 mm (11.4 in)
B	985 mm (38.8 in)
C	2350 mm (92.5 in)
D	765 mm (30.1 in)
F	3535 mm (139.2 in)
G	4125 mm (162.4 in)
H	1990 mm (78.3 in)
I	860 mm (33.9 in)
L	1510 mm (59,4 in)
M	1840 mm (72.4 in)
P	1865 mm (73.4 in)
Q	3925 mm (154.5 in)
S	1495 mm (58.9 in)
T	120 mm (4.7 in)



MAX  
2600 kg



DOCCT0000822



EN1459-1 ANNEX B

26.6