

DIECI



MINI AGRI-€

26.6



dieci.com

PERFORMANCE

Vehicle model	MINI AGRI-e 26.6
Maximum capacity	2600 kg (5732 lb)
Maximum lifting height	5.73 m (18.8 ft)
Maximum horizontal extension	3.2 m (10.5 ft)
Fork swiveling angle	129°
Pull-out force	5510 daN (12387 lbf)
Towing force	4100 daN (9217 lbf)
Unladen weight	5100 kg (11244 lb)
Maximum climb angle	40 %
Max speed (referred to wheels with maximum permitted diameter)	24 km/h (14.9 mph)

BOOM

Vehicle model	MINI AGRI-e 26.6
Getting off the basket	6.5 s
Lifting	10 s
Extension	8.8 s
Retraction	5.2 s
Forward swiveling	4.4 s
Reverse swiveling	5 s

ELECTRIC MOTOR

Vehicle model	MINI AGRI-e 26.6
Traction Motor Type	Asynchronous
Traction Motor Nominal Voltage	96 V
Traction Motor Cooling	Air
Traction Motor Rated Power	19 kW (25 HP)
Traction Motor Peak Power	56 kW (75 HP)
Hydraulic Motor Type	Reluctance synchronous
Hydraulic Motor Nominal Voltage	96 V
Hydraulic Motor Cooling	Air
Hydraulic Motor Rated Power	22 kW (30 HP)
Hydraulic Motor Peak Power	27 kW (36 HP)

BATTERY

Vehicle model	MINI AGRI-e 26.6
Standard Battery Type	Lithium Ion
Standard Battery Chemistry	LiFePo
Standard Battery Nominal Voltage	96 V
Standard Battery Capacity (Ah)	228 Ah
Standard Battery Capacity (kWh)	22 kWh
Optional Battery Type	Lithium Ion
Optional Battery Chemistry	LiFePo
Optional Battery Nominal Voltage	96 V
Optional Battery Capacity (Ah)	456 Ah
Optional Battery Capacity (kWh)	44 kWh
STANDARD battery charging time (220V)	5.3 h
STANDARD battery charging time (400V)	2.7 h
STANDARD battery charging time with external charger (400V)	1 h
OPTIONAL battery charging time (220V)	11 h
OPTIONAL battery charging time (400V)	3.5 h
OPTIONAL battery charging time with external charger (400V)	2 h
ON-BOARD Charger Compatibility	110V-220V-400V-IEC 61851 mode 2 and 3 with socket type 2
ON-BOARD charger power (220V)	3.3 kW
ON-BOARD charger power (400V)	6.6 kW
Optional EXTERNAL charger power	18 kW

TRANSMISSION

Vehicle model	MINI AGRI-e 26.6
Transmission type	Single-speed Electric
Reversal	N.A.
Drive mode	ECO-NORMAL-POWER

DIFFERENTIAL AXLES

Vehicle model	MINI AGRI-e 26.6
Type of axles	2 steering, with 4 epicycloidal reduction gears
Type of steering	4 wheels / transversal / 2 wheels
Front axle	Rigid
Rear axle	Swinging
Service braking	Oil bath on front axle
Parking braking	Negative actuation with electrical control

HYDRAULIC SYSTEM

Vehicle model	MINI AGRI-e 26.6
Hydraulic pump type	Gear pump Low Noise for power steering and movements
Hydraulic pump capacity	62 l/min (16.4 gal/min)
Max. operating pressure	23 MPa (3336 psi)
Distributor control	Electrically operated proportional 4in1 joystick
Distributor type	Single-lever proportional hydraulic with simultaneous controls and ALS system

FILLING

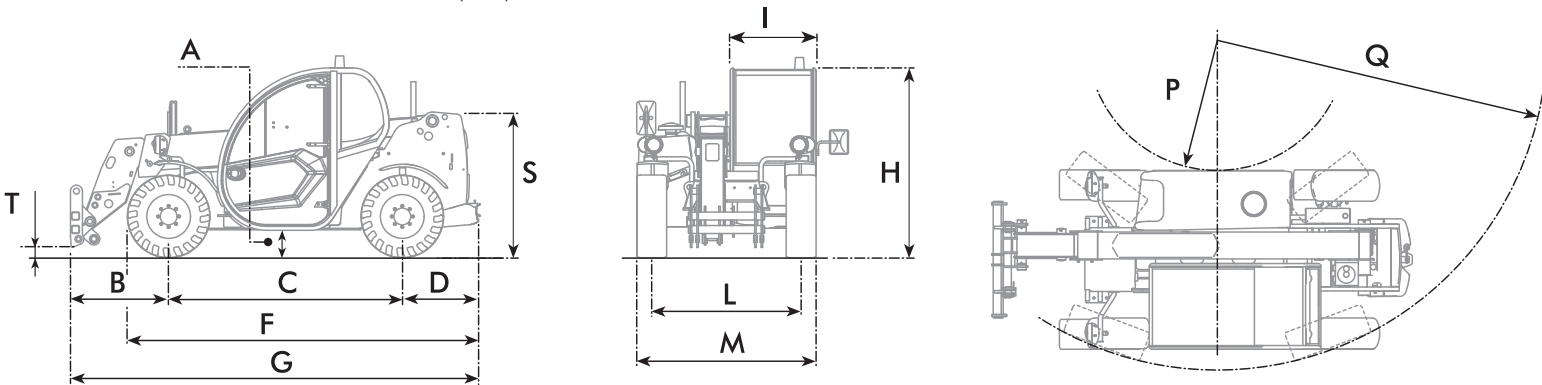
Vehicle model	MINI AGRI-e 26.6
Hydraulic system (total)	60 l (15.85 gal)

TYRES

Vehicle model	MINI AGRI-e 26.6
Standard tires	12.0/75-18

DIMENSIONS

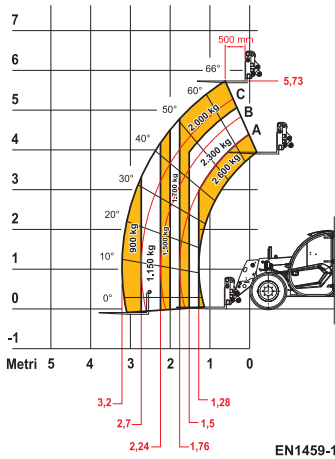
Vehicle model	MINI AGRI-e 26.6
A	300 mm (11.8 in)
B	985 mm (38.8 in)
C	2360 mm (92.9 in)
D	755 mm (29.7 in)
F	3585 mm (141.1 in)
G	4100 mm (161.4 in)
H	1980 mm (78.0 in)
I	860 mm (33.9 in)
L	1500 mm (59.1 in)
M	1860 mm (73.2 in)
P	1290 mm (50,8 in)
Q	3400 mm (133.9 in)
S	1485 mm (58.5 in)
T	110 mm (4.3 in)



MAX
2600 kg



DOCCT0000822



26.6